

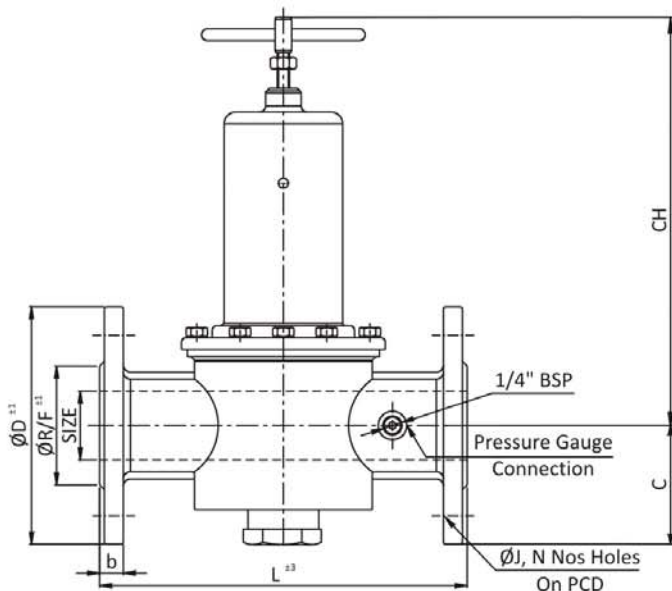
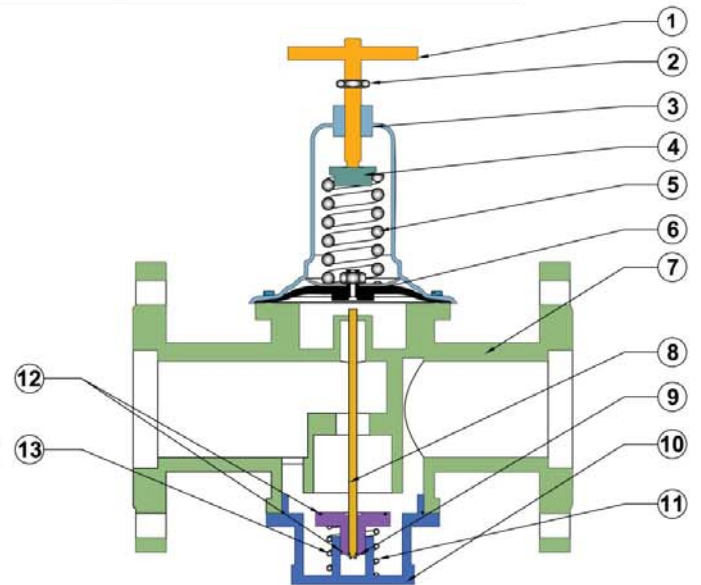


Features

- ▶▶ High Flow Design
- ▶▶ Heavy Duty & Durable Design
- ▶▶ Comfortable to all industrial used.
- ▶▶ Turn "T" Type Key Clock Wise to Increase Pressure
- ▶▶ Easy to Install

Technical Specification

Model	HFR - 65	HFR - 80	HFR - 100
Size	2.1/2"	3"	4"
Pressure	12 Kg/cm ²		
Temperature	50 °C (max.)		
Media	Compressed air		
End Connection	Flanged End 150#		



No.	Part Name	Material
1	Adjusting Stud	Steel Plated
2	Check Nut	Brass
3	Bonnet	Steel Fabricated
4	Spring Guide	Aluminum
5	Top Spring	Spring Steel
6	Diaphragm	Imported Plastic
7	Body	I. C. WCB
8	Plunger	Aluminum with Rubber Moulded
9	Plunger Lock Pin	M. S.
10	Bottom Plug	I. C. WCB
11	'O' Ring	NBR
12	'O' Ring	NBR
13	Plunger Spring	Spring Steel

Dimensions :

(All Dimensions are in mm)

MODEL	SIZE	L	C	CH	ØR/F	ØD	b	PCD	ØJ	N	H	Weight (Kg.) Approx.
HFR - 65	2.1/2"	335	137	290	104.8	180	17.9	139.7	19.05	4	427	21.300
HFR - 80	3"	335	137	290	127	190	19.5	152.4	19.05	4	427	22.100
HFR - 100	4"	335	137	290	157.2	230	24.3	190.5	19.05	8	427	26.500