

3/2 Way Hand Lever Valve (Spring Return / Detent)

Features

- ▶▶ Heavy & Durable design.
- ▶▶ Aluminum Die Cast Standard Grade with Powder Coating.
- ▶▶ Hard Chrome Plated spool for rust free smooth and long life cycle.
- ▶▶ Superior High Grade Seals
- ▶▶ Simple design easy to maintenance

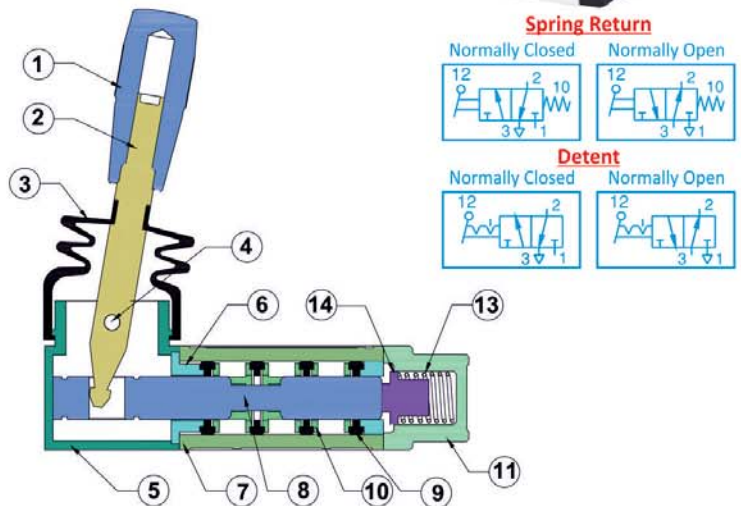
Technical Specification

| | | |
|-------------------------|--|---------------|
| Model | 2ARMHLV - 302 | 2ARMHLV - 304 |
| Size | 1/4" | 1/2" |
| Orifice | 6.5 | 12.5 |
| Design | Spool type, | |
| Pressure | 10 Kg/cm ² | |
| Temperature | 80 °C | |
| Leakage | Bubble Tight | |
| Media | Compressed Air (Filtered & Lubricated) | |
| Flow (NLPM) at 5 BAR | 1100 | 3000 |
| Weight (Kg) | 0.310 | 0.890 |

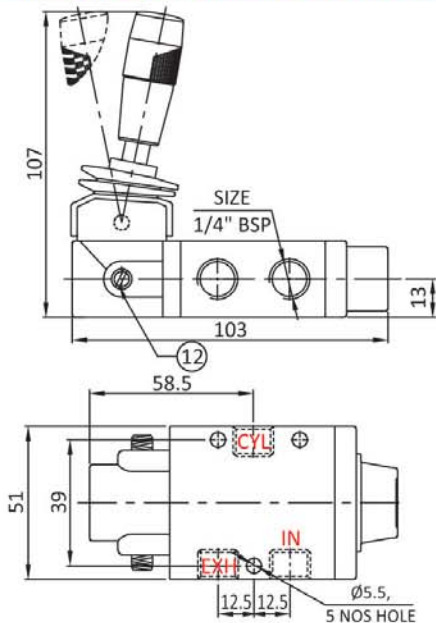


| No. | Part Name | Material |
|-----|----------------|----------------------------|
| 1 | Knob | Nylon |
| 2 | Handle | Hardchrome Plated |
| 3 | Bellow | NBR |
| 4 | Dowel Pin | Spring Steel |
| 5 | Top Cover | Aluminum Pressure Die Cast |
| 6 | Collar Washer | Polyacetal |
| 7 | Body | Aluminum Pressure Die Cast |
| 8 | Spool | EN8 Hardchrome Plated |
| 9 | 'T' Ring | NBR |
| 10 | Cage | Polyacetal |
| 11 | End Cover | Aluminum / Nylon |
| 12 | Cushioning Set | Brass / S. S. |
| 13 | *Spring | S. Steel |
| 14 | Stopper | Polyacetal |

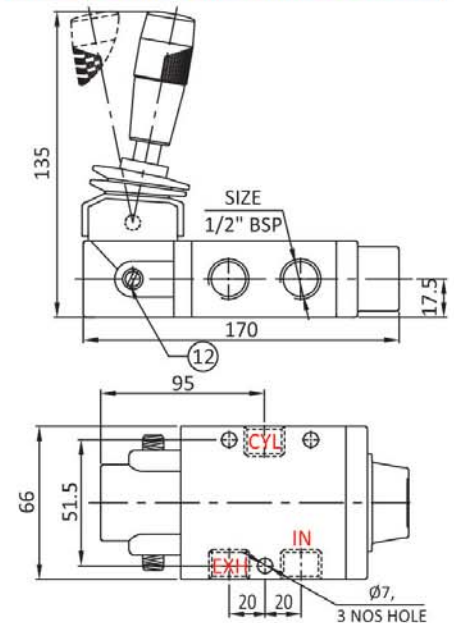
* Only For Spring Return.



Size : 1/4" BSP (Dimensions are in mm)



Size : 1/2" BSP (Dimensions are in mm)



Note : Since, constant worldwide advancement in technology, We keep our rights reserved to make changes time to time in Technical Specification and Dimensions without prior notice.